

Electrolux

High Productivity Cooking Electric Cook & Chill Kettles- 26 gal

ITEM # _____

MODEL # _____

PROJECT NAME # _____

SIS # _____

AIA # _____



High Productivity Cooking Electric Cook & Chill Kettles- 26 gal

582562 (GUWEOEOOZ) Tilting Chilltherm Kettle
26 gal – 208 V
582564 (GUYEOEOOZ) Tilting Chilltherm Kettle
26 gal – 480 V

Short Form Specification

Item No. _____

Unit to be Electrolux Electric Chilltherm self contained Cook & Chill Kettle 26 gallon capacity with integrated stirrer (optional). Electric characteristics to be ___208 V or ___480 V three phase. Boil, chill, store and reheat food without frequent filling and emptying operation. All stainless steel construction, full jacket including heat insulated external paneling. One piece deep drawn cooking vessel in 316 type stainless steel. Unit shall include the possibility to install integrated stirrer with left and right rotation (to be ordered as an accessory). Unit shall be floor mounted on two consoles with four adjustable stainless steel feet. Unit shall include motorized variable tilting of pan and fully insulated and counter-balanced closing lid. Cooking temperature and cooking time can be precisely set through state of the art control panel. Food sensor temperature built into base plate permits precise temperature cooking.

Covered by Electrolux Platinum Star® Service Program two-year parts and one-year labor warranty, installation start-up and performance check-up after one year from installation.



Approval: _____

Main features

- Chilltherm kettle includes three different chilling programs:
 - 1 step program: chill
 - 2 step program: cook&chill
 - 2 step program: chill&cook.
- Chilltherm kettle includes an integral agitator (to be ordered as option) and cooling jacket.
- External cooling system is required. Available through a 3rd party supplier.
- The cooling system has to provide between 290 - 871 US gal./hour (depending on the vessel size) of ice water at 37.4 °F at the kettle interface
- Round, tilting kettle is suitable to cook, sauté, poach or steam all kinds of produce.
- Produce is uniformly heated in the base and side walls of the kettle by steam hot water by an external jacket.
- Kettle shall be full jacketed including additional heat-insulated external paneling.
- Cooking vessel (one-piece deep drawn) in 316 stainless steel (11 gauge) featuring directional pouring lip. Double-jacket in 316 stainless steel (18 gauge) designed to operate at a pressure of 11.6 psi.
- The lid, mounted on the cross beam of the unit, shall be counterbalanced by a special hinge that remains open in all positions.
- Lid is double-lined, insulated in 304 stainless steel.
- Integrated stirrer with left and right rotation (20 rpm). Stirrer to be ordered as optional accessory.
- Steam-source: self-contained with a booster injecting steam directly into double jacket.
- Controls are IPX5/NEMA4 water resistance certified.
- Actual cooking/holding temperature can be precisely set through the control panel.
- Cook time settings visible through the digital display
- Pressure in double-jacket visible through digital display.
- Built in food temperature sensor for precise control of cooking process.
- A SOFT setting for a gentle heat input, for delicate products thus avoiding undesired spillage.
- A HOLD setting where the food is initially cooked then held at a pre-set temperature.
- Firmly fitting insulated cover to reduce cooking time and save energy costs.
- Ergonomic: unique ratio vessel diameter and height; motor-assisted tilting.
- Offset tilting axle for convenient pouring height.
- Large directional pouring lip.
- Closed heating system – no waste of energy.
- Added safety: external heat-insulated paneling.
- Smooth large surfaces, easy access for cleaning.
- All pan internal surfaces ground and polished.
- Kettle vessel tilts over 90° for complete emptying/cleaning.

Optional Accessories

- Strainer for tilting kettles
- Grid stirrer + scraper for 26 gal kettles



Electrolux

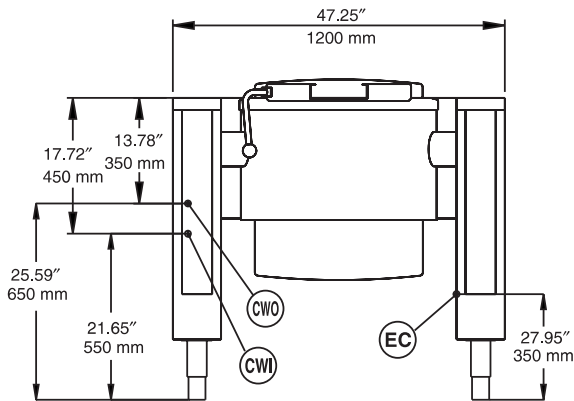
High Productivity Cooking Electric Cook & Chill Kettles- 26 gal

Electrolux Professional, Inc.

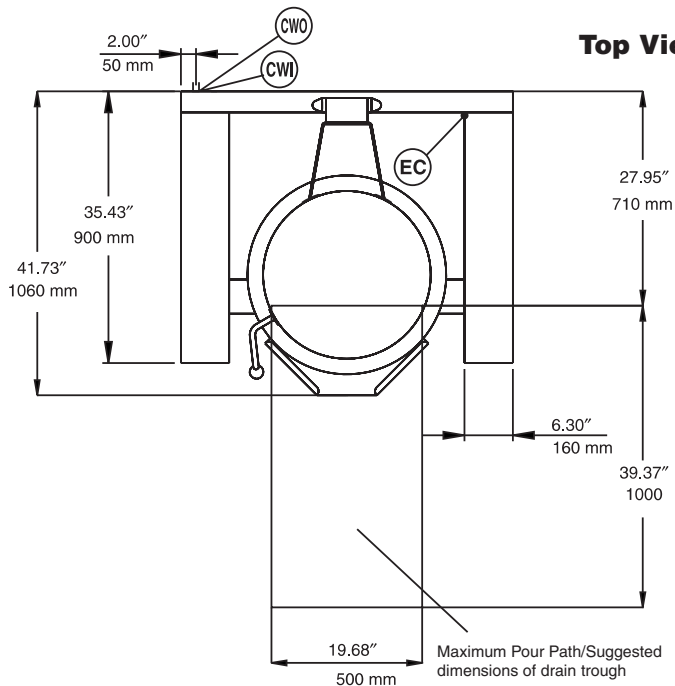
www.electroluxusa.com/professional

10200 David Taylor Drive, Charlotte, NC 28262 • Telephone Number: 866-449-4200 • Fax Number: 704-547-7401

Front View

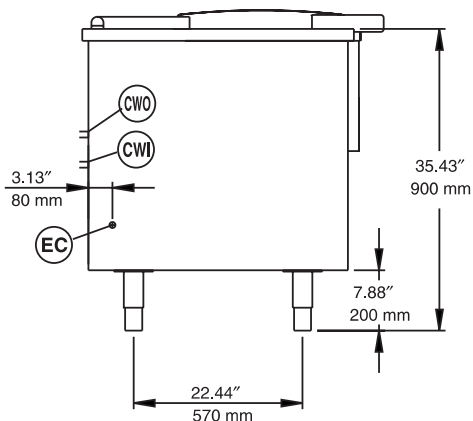


Top View



- EC** = Electrical connection
- CWI** = Cold Water inlet 1"
- CWO** = Cooling Water Outlet 1"

Side View



Electric

Supply voltage:

582562 (GUWE0E000Z) 208 V/3p/60Hz - 58A

582564 (GUYE0E000Z) 480 V/3p/60Hz - 26A

Total Watts:

18.2 kW

Cooling system (from third party)

Water temperature at kettle inlet:

37.4 °F (3 °C)

Cooling water inlet:

Sandvik couplings 1" (25 mm)

Cooling water outlet:

Sandvik couplings 1" (25 mm)

Please refer to product user manual for detailed cooling system requirements.

Key Information

Working Pressure: 11.6 psi (0.8 bar)

Distance to floor of pouring lip when tilted: 13-3/4" (350 mm)

Working Temperature: 122 °F (50 °C MIN)
212 °F (100 °C MAX)

Pan useful capacity: 26.42 gal (100 liters)

Vessel (round) diameter: 25-3/16" (640 mm)

Vessel (round) depth: 15-9/16" (395 mm)

Net weight: 507 lb (230 kg)

Shipping weight: 551 lb (250 kg)

Shipping width: 55-1/8" (1400 mm)

Shipping height: 47-1/4" (1200 mm)

Shipping depth: 47-1/4" (1200 mm)

Shipping volume: 71.32 cu.ft. (2.02 m3)

No clearance needed on rear or sides of unit if wall is of non combustible type. If wall is combustible, minimum 2" (50 mm) wall clearance should be maintained.

Water fill faucet/shower to be mounted close to unit for filling and cleaning (not supplied).